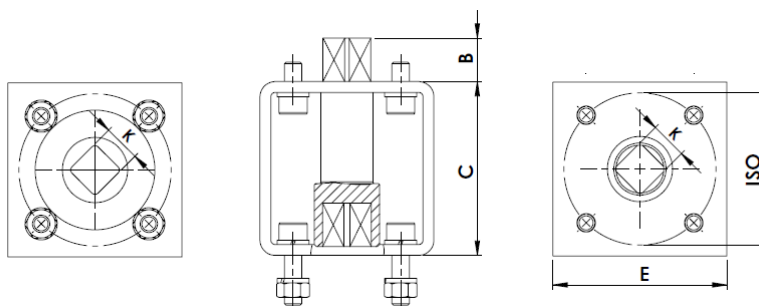
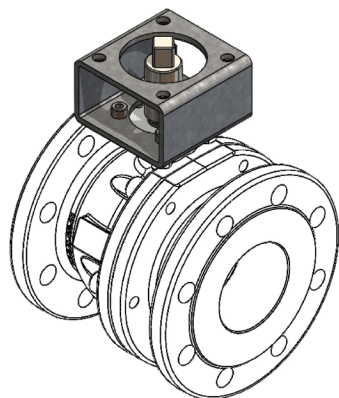


# ADAPTERJI | ADAPTERS

Za pogone / For actuators



## Materiali / Materials

1	Ohišje Body	Oglikovo jeklo (cinkano) – S235JR (RSt 37-2), A105 Carbon steel (galvanised) – S23 (St 37-2), A105
2	Pritrdilni elementi Screws, nuts	DIN 912, DIN 931 DIN 912, DIN 931

Art.	Adapter	DN	ISO zgornja prirobnica / ISO top flange	Nastavek / Shaft □K	B	C	E	Teža / Weight [kg]
A951032	KP	15 - 25	F04	K11	11,5	60	60	0,60
A950918	KP	25	F05	K14	14	60	60	0,60
A951033	KP	32	F04	K14	15	60	60	0,60
A951034	KP	32 - 50	F05	K14	13	60	60	0,60
A950894	KP	40 - 50	F07	K17	17	80	80	1,20
A951035	KP	65 - 100	F07	K17	16	80	80	1,30
A951016	KP	65 - 100	F10	K22	18,5	60	100	1,40
A951036	KP	125 - 150	F10	K22	26	80	140	2,80
A950944	KP	125 - 150	F12	K27	25	80	140	2,80
A951037	KP	200	F12	K27	29	80	140	2,80
A950893	KP	200	F14	K36	24	80	160	4,00
A950899	KP	250	F16	K36	24	120	220	9,50
A951004	KP	250	F16	K46	36	120	220	9,50
A950850	KPT	25	F04/F05*	K11	10	50	43	0,20
A950851	KPT	25	F04/F05*	K14	10	50	43	0,20
A950852	KPT	32-50	F04/F05*	K14	17	55	50	0,30
A950853	KPT	65-100	F07	K17	18,5	78	70	0,80
A950854	KPT	125-150	F10/F12*	K22	20	104	125	2,00
A950855	KPT	125-150	F10/F12*	K30	20	104	125	2,20
A950856	KPT	200-250	F10/F12*	K30	26	70	125	1,40
A950972	KPA	15 - 20	F05	K14	13	60	60	0,50
A950973	KPA	25	F05	K14	13	60	60	0,30
A950974	KPA	32	F05	K17	13	60	60	0,40
A950975	KPA	40 - 50	F07	K17	13	60	100	1,00
A950976	KPA	65 - 100	F10	K17	19	60	100	1,50
A950969	KPA	100 PN40	F07	K17	22	80	80	1,25

Adapter je privarjen na ohišje pipe. Prodaja možna samo v kompletu s krogelno pipo. /  
Adapter is welded on the body of the ball valve. It can only be sold mounted on the ball valve.

## Opombe

Adapterji KP so primerni za KPC, KPN in KPV ventile z ISO prirobnico.

## Notes

KP adapters are suitable for KPC, KPN and KPV with ISO flange.